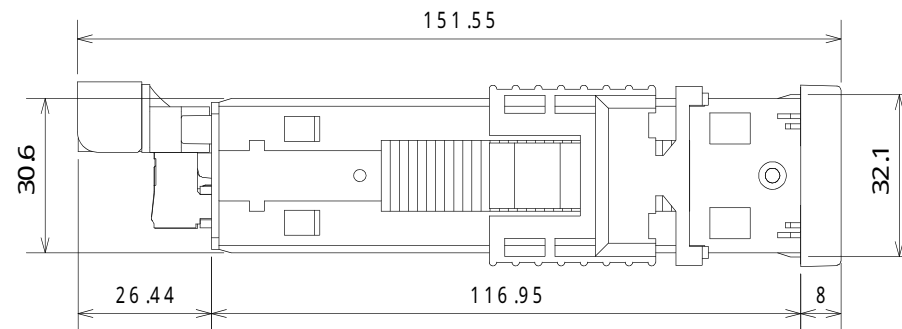
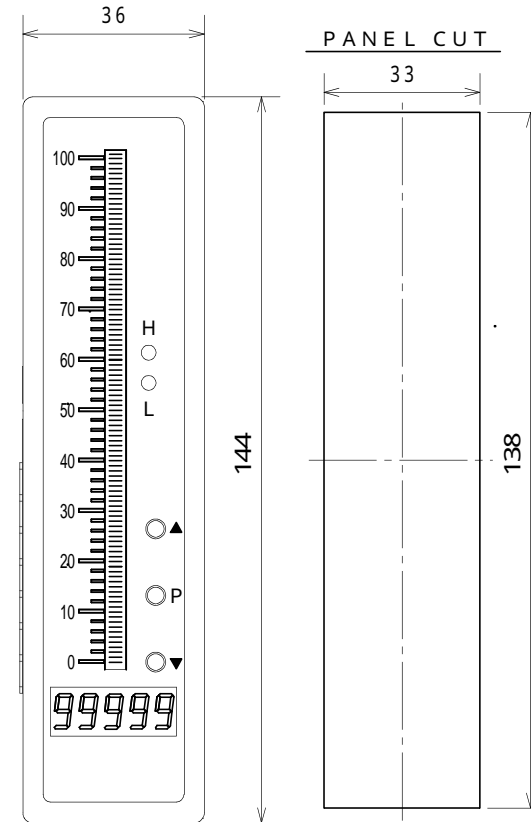
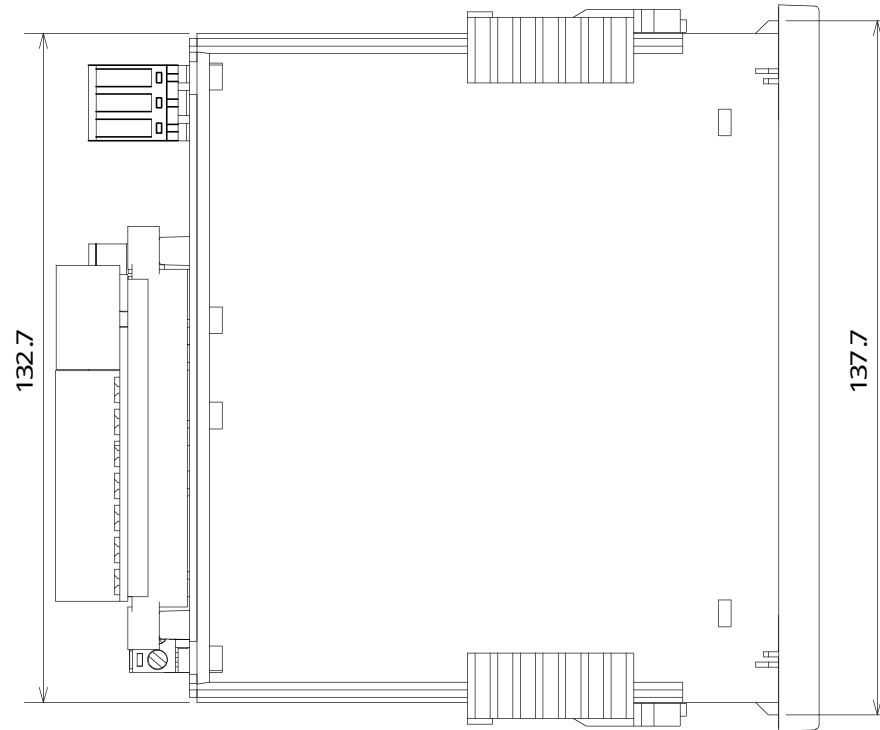
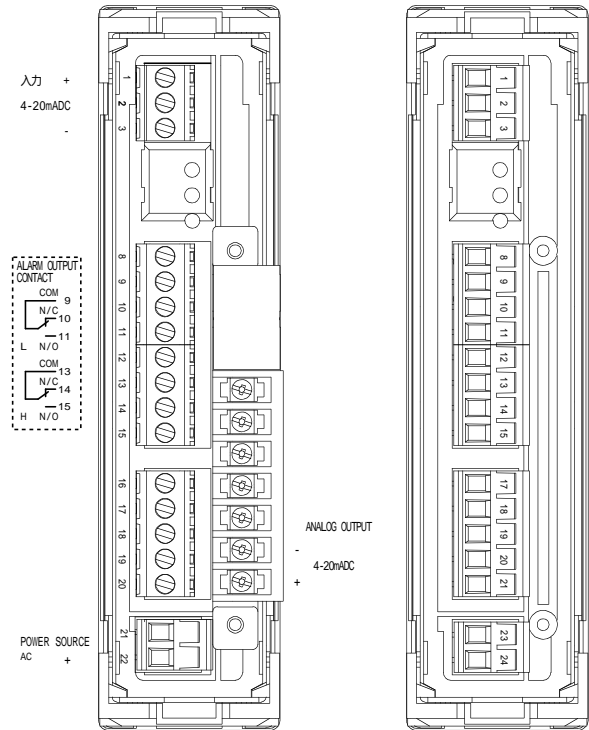


TYPE : MLI-BD12A-1

TYPE : MLI-BD12A-1PAI

TYPE : MLI-BD12A-1P



INDICATOR

DIGITAL INDICATION 7 SEGMENTS, 5 DIGIT, 7mm RED
 ANALOG INDICATION 101-DOT BAR GRAPH LEDs (RED)

UPDATE RATE 3 TIMES / SECOND
 INDICATION BRIGHTNESS ADJUSTMENT 4 PHASES OF BRIGHTNESS ADJUSTMENT (FRONT PANEL KEY)

POLARITY DISPLAY ONLY A MAINUS(-)
 OVERRANGE INSTRUCTIONS ALL TOP SEGMENTS BAR LIGHTS ON
 UNDERRANGE INSTRUCTIONS ALL BOTTOM SEGMENTS BAR LIGHTS ON
 FRONT PANEL THREE CONTROL BUTTONS PROGRAM / UP / DOWN

INPUT RANGE DC24V/4-20mA (PRESSURE TRANSMITTER) , SINGLE

ACCURACY

DIGITAL $\pm 0.5\%$ F.S. ± 1 digit
 BAR GRAPH $\pm 1.0\%$ F.S. ± 1 digit
 ANALOG SIGNAL $\pm 0.5\%$ F.S.

SETTING ITEM (USER SETTING MODE)

1. SET POINT OF THE RELAYOUTPUT
2. SPECIFIC GRAVITY
3. INDICATION BRIGHTNESS ADJUSTMENT

OUTPUT SPECIFICATIONS

TWOPOINT OF RELAYS L:1C, H:1C
 CONTACT CAPACITY 5A/DC24V, 2A/AC100V

ANALOG SIGNAL (MLI-BD12A-1PAI ONLY) 4 ~ 20 mA DC (ISOLATION SIGNAL)

SOURCE

AC85V ~ 265V max.5W

ENVIRONMENTAL CONDITION

PERFORMANCE TEMP. 0 ~ 50
 SAFEKEEPING TEMP. -20 ~ 70
 RELATIVE HUMIDITY 95%(NOT DEW CONDENSATION) IN 40
 WEIGHT approx. 330g / approx.430g (1PAI)

5	DATE	SCALE	3rd ANGLE PROJECTION	TITLE TYPE : MLI-BD12A-1 DIGITAL-ANALOG INDICATOR (WITH ALARM & ANALOG OUT.)
	'07. 6.19	N/S		
4	APPROVED	CHECKED	DRAWN	DWG.NO. MSP-06011
	3	2	1	
REVISION		BY		明陽電機株式会社 MEIYO ELECTRIC CO., LTD